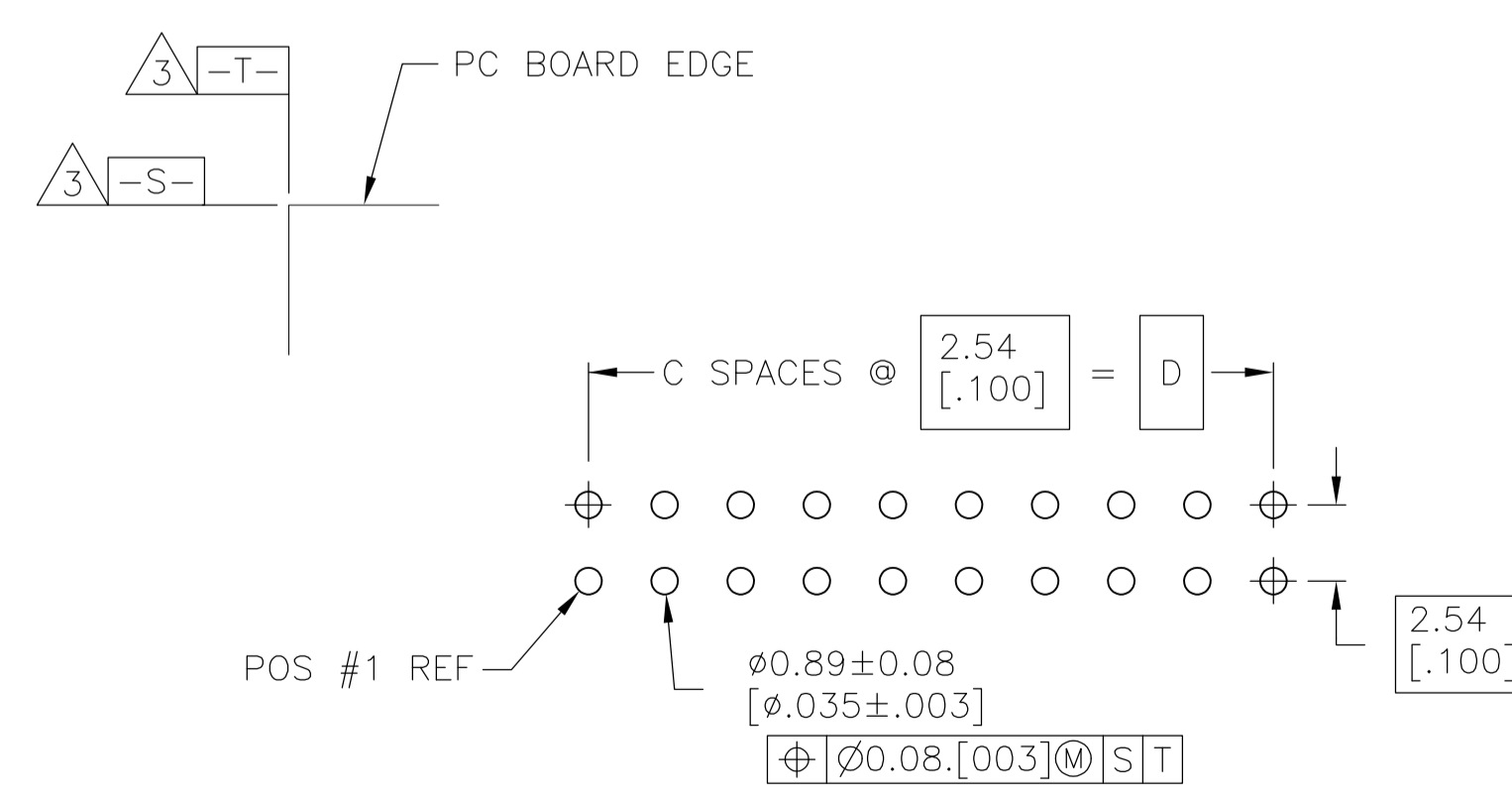
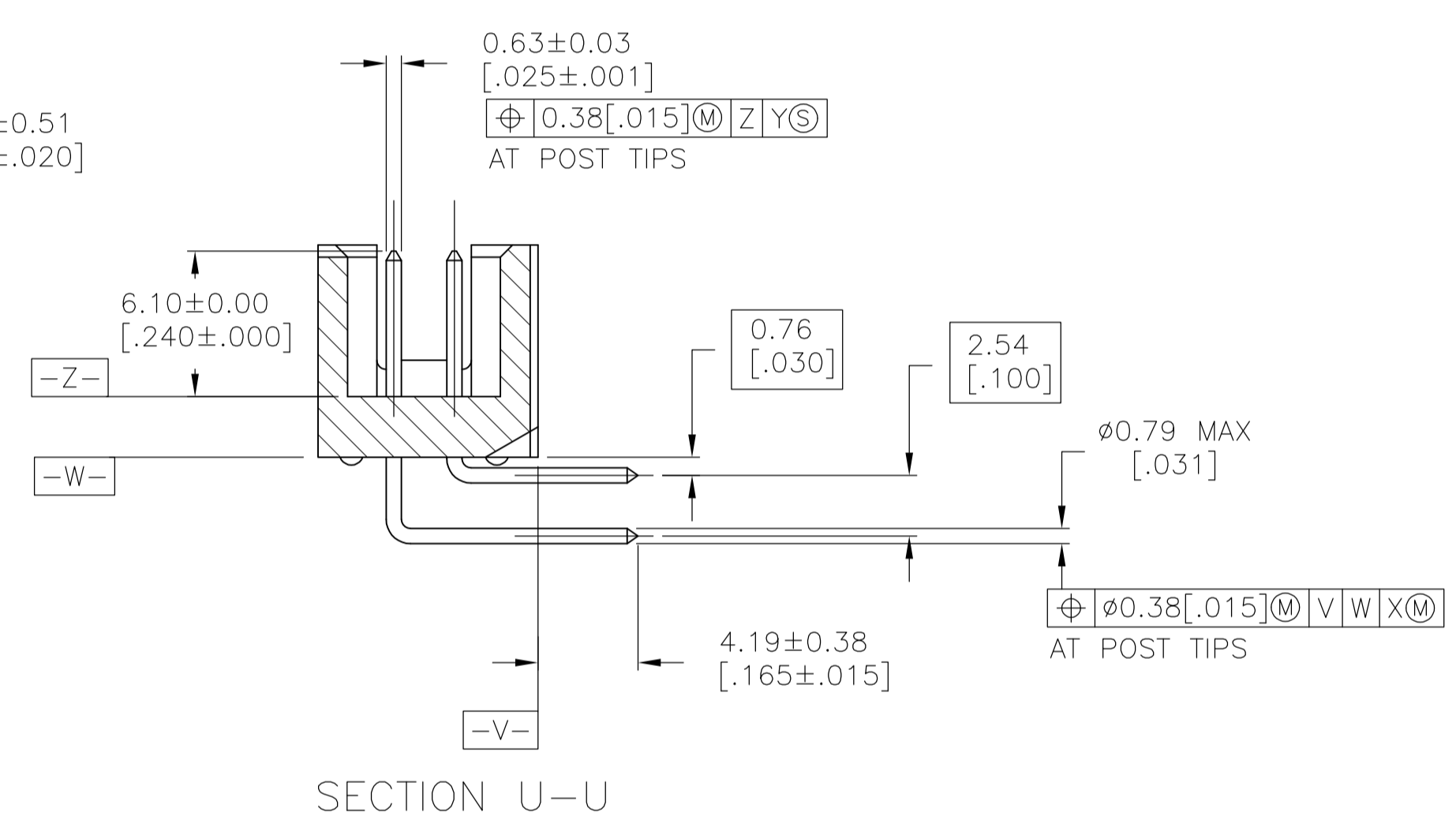
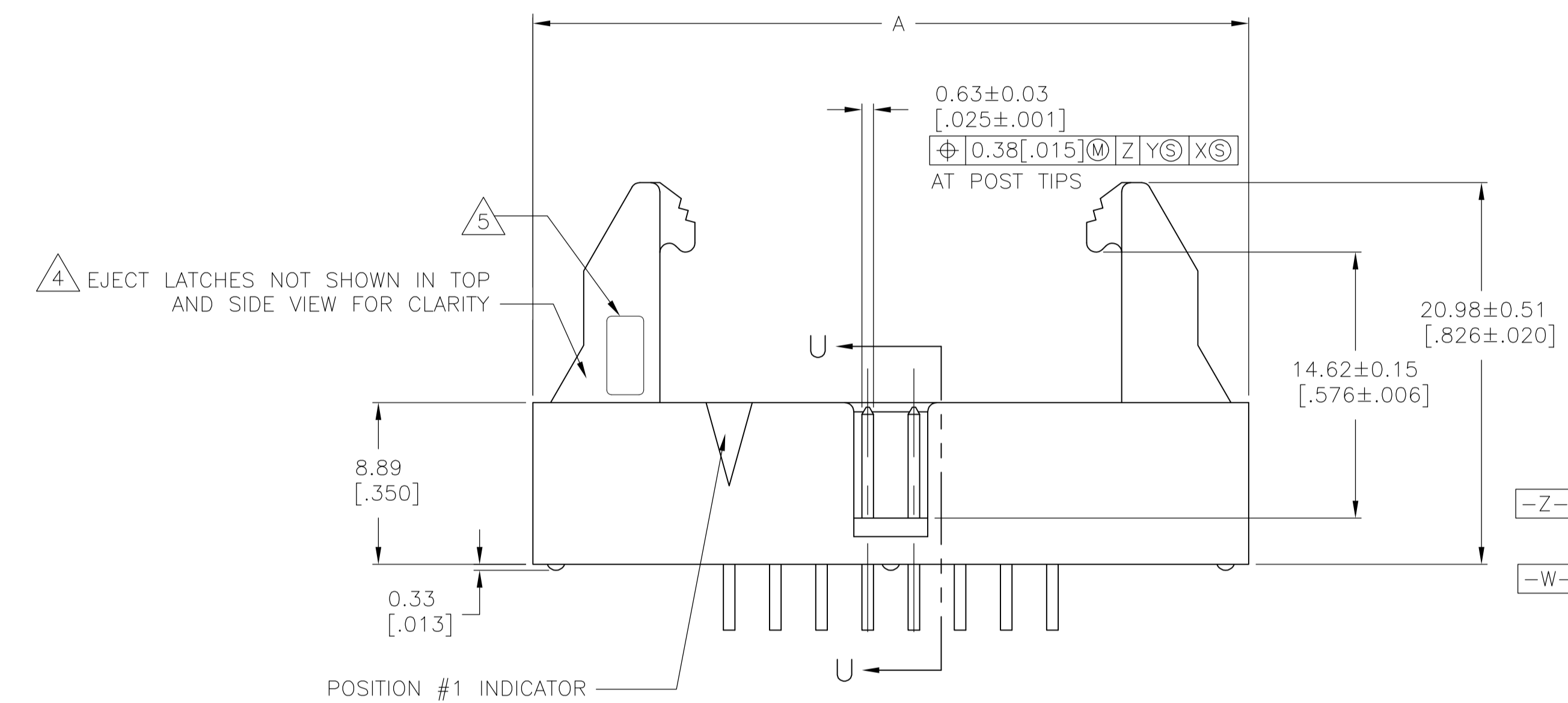


- 1 HOUSING & EJECT LATCHES: PBT, UL94V-0, COLOR BLUE. POSTS: PHOSPHOR BRONZE.
- 2 POSTS: 0.00076[.000030] MIN GOLD ON MATING AREA, 0.00254[.000100] MIN TIN ON SOLDER END, ALL OVER 0.00127[.000050] MIN NICKEL ON ENTIRE POST.
- 3 DATUMS S & T TO BE ESTABLISHED BY CUSTOMER.
- 4 LONG EJECT LATCHES FOR MATING IDC/AMP-LATCH STYLE RECEPTACLES WITH A STRAIN RELIEF
- 5 MANUFACTURER'S LOGO TO BE LOCATED IN APPROXIMATE AREA SHOWN.



RECOMMENDED PC BOARD LAYOUT
(VIEWED FROM CONNECTOR SIDE)

| | | | | | | |
|----------|---------------|----|---------------|---------------|-----------|-------------|
| | 48.26 [1.900] | 19 | 55.88 [2.200] | 69.85 [2.750] | 40 | 1-1761692-3 |
| | 40.64 [1.600] | 16 | 48.26 [1.900] | 62.23 [2.450] | 34 | 1-1761692-1 |
| OBSOLETE | 30.48 [1.200] | 12 | 38.10 [1.500] | 52.07 [2.050] | 26 | 1761692-9 |
| OBSOLETE | 22.86 [.900] | 9 | 30.48 [1.200] | 44.45 [1.750] | 20 | 1761692-7 |
| OBSOLETE | 17.78 [.700] | 7 | 25.40 [1.000] | 39.37 [1.550] | 16 | 1761692-6 |
| | 10.16 [.400] | 4 | 17.78 [.700] | 31.75 [1.250] | 10 | 1761692-3 |
| | D | C | B | A | NO OF POS | PART NUMBER |

THIS DRAWING IS A CONTROLLED DOCUMENT.

| | | | |
|-------------------------|--|-----------------------|---------------------|
| DIMENSIONS: mm [INCHES] | TOLERANCES UNLESS OTHERWISE SPECIFIED: | APPROVED: M. WALMSLEY | NAME: M. WALMSLEY |
| 0 PLC ± - | 1 PLC ± - | 2 PLC ± - | 3 PLC ± 0.13[.005] |
| 4 PLC ± - | ANGLES ± - | SIZE: A1 | CAGE CODE: 00779 |
| MATERIAL: 1 | FINISH: 2 | WEIGHT: - | DRAWING NO: 1761692 |

TYCO ELECTRONICS CORPORATION
 HARRISBURG, PA 17105-3608

HEADER ASSEMBLY, LONG EJECT LATCHES, RIGHT ANGLE, LOW PROFILE, IDC

CUSTOMER DRAWING SCALE: 4:1 SHEET: 1 OF 1 REV: B